



EUROPE

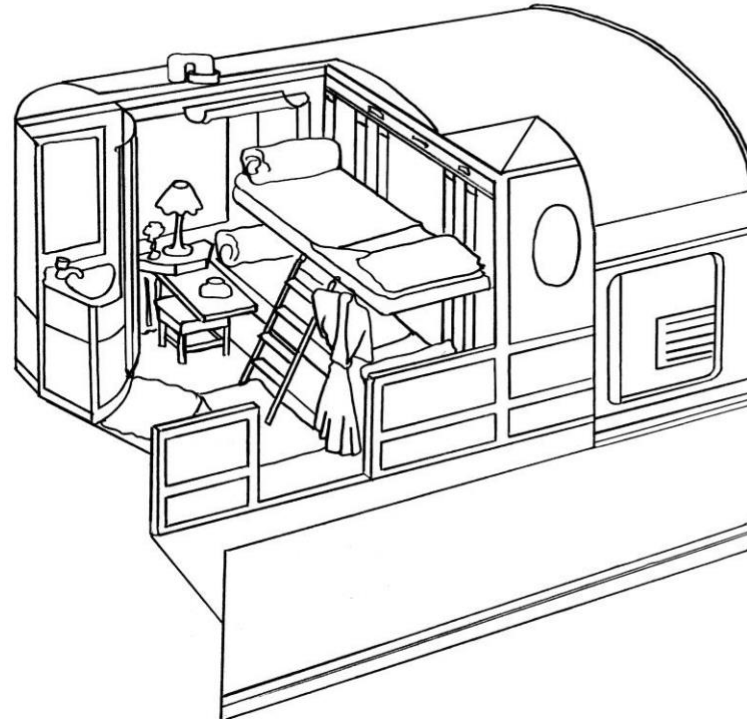
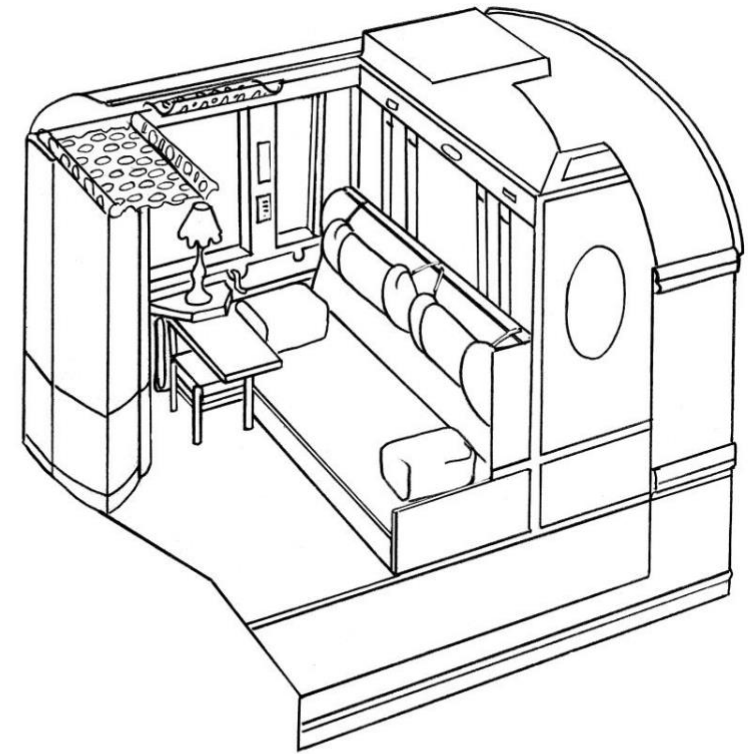
TWIN CABINS



BY DAY

Discover train travel the way it has been experienced and enjoyed for over a century in our classic Twin Cabins.

These cabins feature an upper and lower berth to accommodate two passengers. During the day, the berths offer comfortable banquette seating from which to admire panoramic views.



BY NIGHT

Crisp damask sheets and fine blankets contribute to a cozy and restful atmosphere when transformed into bedding at night.

Individually controlled heating and air-conditioning.

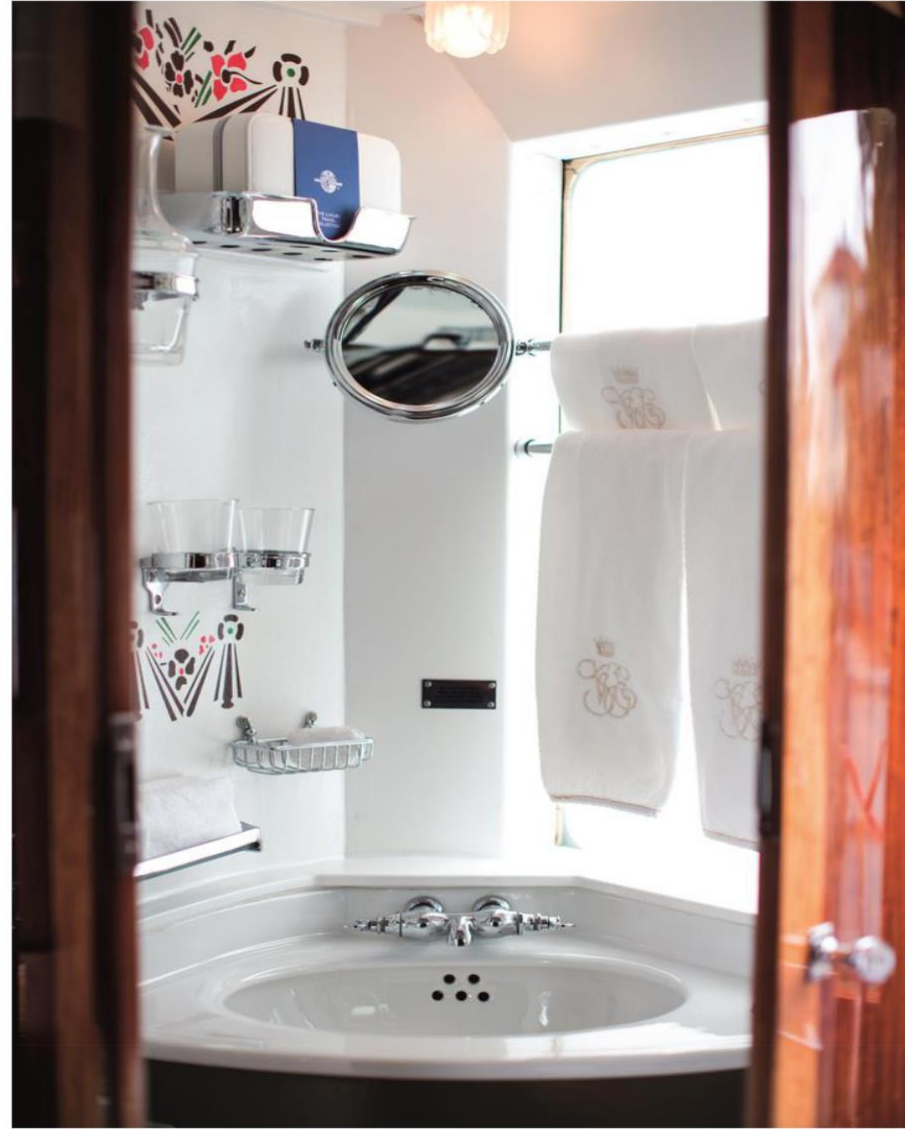
Large pull-down windows

24 hour cabin service call button²

TWIN CABIN – DAY



TWIN CABIN – NIGHT



GRAND SUITES

Enjoy unparalleled levels of luxury in one of our six Grand Suites. Interiors inspired by Paris, Venice, Istanbul, Vienna, Budapest and Prague embody Art Deco indulgence while providing every modern comfort.

Each suite comes complete with either a double or twin-beds and includes a living area.

Spacious ensuite bathrooms and impeccable cabin service complete the experience.



GRAND SUITE – PARIS



GRAND SUITE – VENICE



GRAND SUITE – ISTANBUL



GRAND SUITE - PRAGUE



GRAND SUITE - VIENNA



GRAND SUITE – BUDAPEST



GRAND SUITE – BATHROOM

